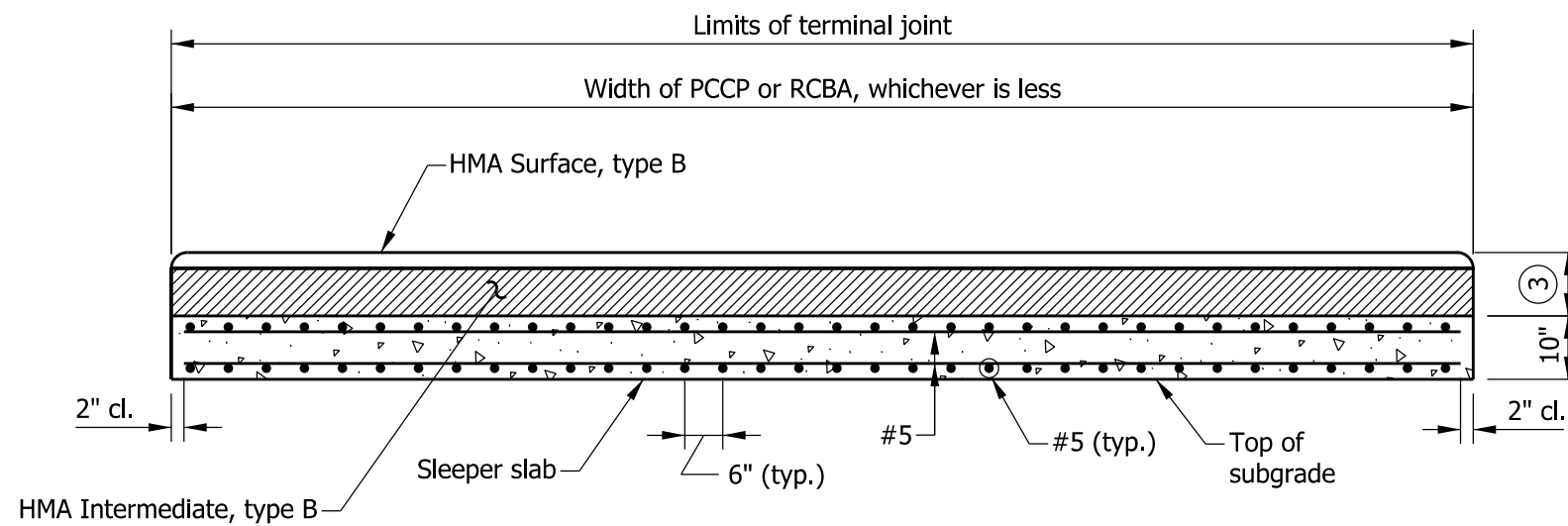
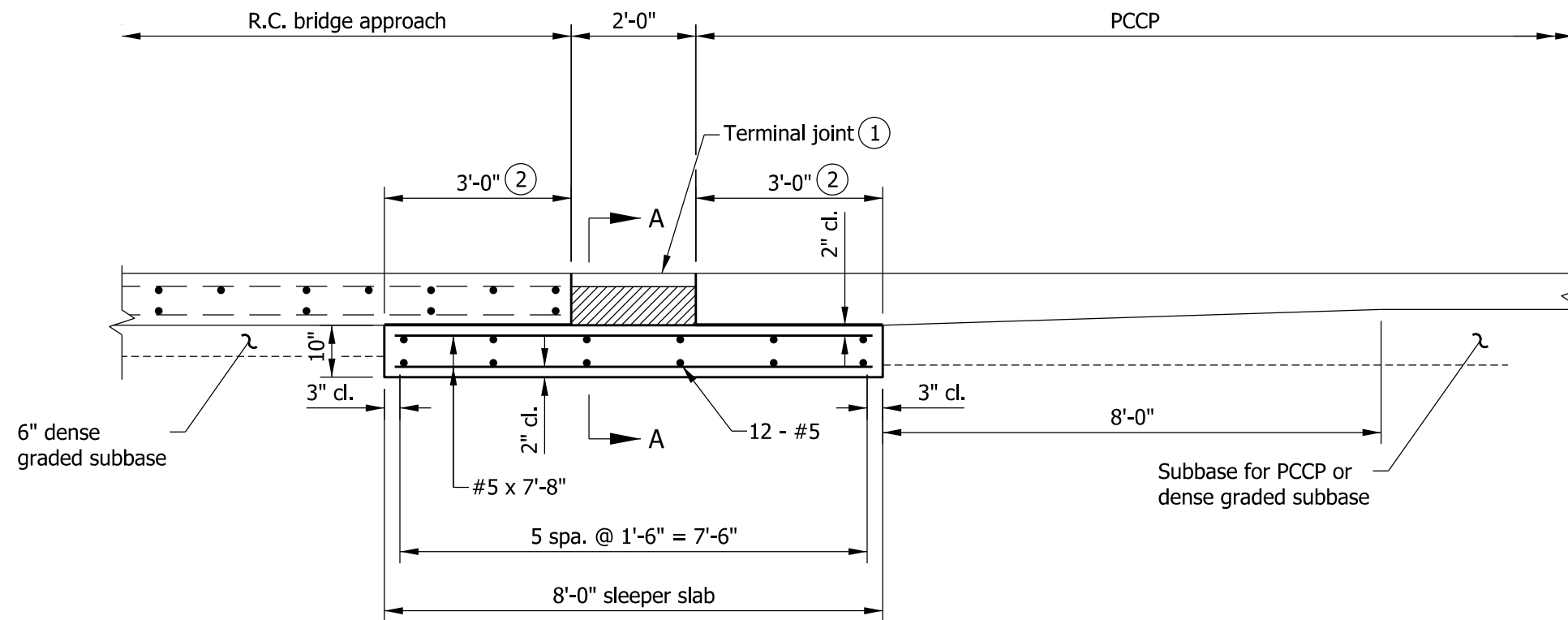


NOTES

- ① Terminal joint elevation shall match elevation of adjacent PCCP and RCBA.
- ② Limits of polyethylene bond breaker.
- ③ RCBA thickness.



SECTION A-A

INDIANA DEPARTMENT OF TRANSPORTATION	
REINFORCED CONCRETE BRIDGE APPROACH TERMINAL JOINT FOR USE WITH PCCP SEPTEMBER 2012	
STANDARD DRAWING NO.	E 503-BATJ-01
	/s/ <i>Richard L. VanCleave</i> 09/04/12 SUPERVISOR, ROADWAY STANDARDS DATE
	/s/ <i>Mark A. Miller</i> 09/04/12 CHIEF ENGINEER DATE